



Feeder for the feeding of booklets and brochures in film wrapping machines

Design and characteristic features:

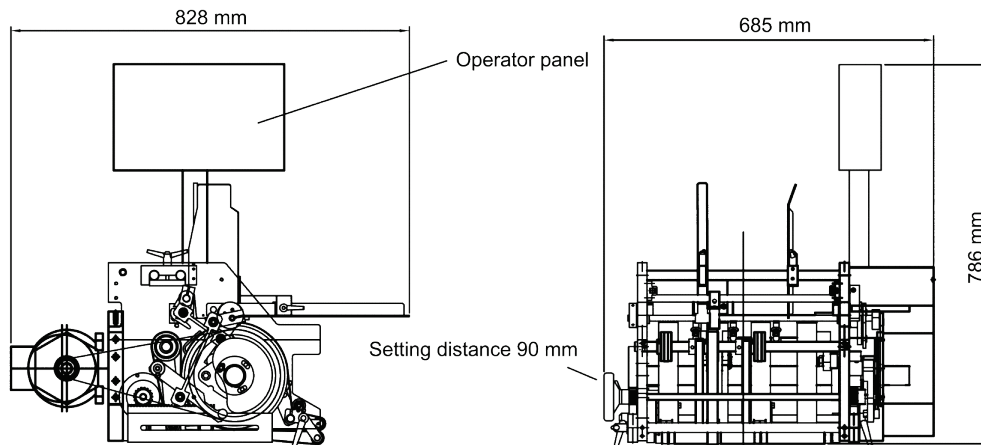
- Product format:
min. 90 x 100 mm (L x W), transv.
max. 420 x 297 mm (L x W), transv.
- Product feeding from magazine or stream feeder band
- Product separation by means of cam controlled grippers and vacuum unit
- Positioning of the products by means of an exit extension with flat belt
- Feeding speed max. 200 cycles per minute (depending on product)
- Feeding process monitoring via light barrier in the exit extension and immediate stop in case of incorrect feeding process
- Monitoring of stack magazine level
- Monitoring of stack magazine minimum stack
- Exact guidance of products by means of triple flat belt guidance
- Infinitely adjustable feeding speed, presetting by means of input at the operator panel with touchscreen
- Drive by AC servo motor
- Direct feeding of products to the further processing machine

Controller:

- PLC control, connectable via machine's docking station
- Function test as concerns filling level, minimum stack and missing sheet
- Fault message indication by means of signal lamp and PLC interface to machine control
- Electric and electronic plug-type connections (machine docking station)

TSA2 rotary vacuum feeder Technical Data (Standard configuration)

Format range (special formats possible):	min. 90 x 100 mm (L x W), transv. max. 420 x 297 mm (L x W), transv.
Speed (depending on product):	Max. 200 cycles/min.
Magazine loading (depending on product):	Stack height max. 250 mm
Drive:	AC servo motor, infinitely controllable
Control:	PLC interface, control by input at the operator panel with touchscreen
Supply voltage:	3 x 400 V / 50 Hz / Nominal current 10A
Compressed-air connection:	6 bar, dry, oil-free air, connection 1/4 " to the compressed-air connection of the machine
Dimensions (W x D x H) / Weight:	approx. 828 x 685 x 786 mm / depending on version and equipment



Dimensions for TSA2 (basic version):

Options:

Buffer rake pneumatically:	The products are placed on the rake before feeding to the machine (assortment)
Autoloader:	For magazine loading with more products – transport belt length from 500 mm to 2000 mm
Moveable base:	For variable use of the feeder at the wrapping machine (only possible in case of connection to different docking stations)
Docking station connection:	For variable use at wrapping machines (only in connection with movable base)

