

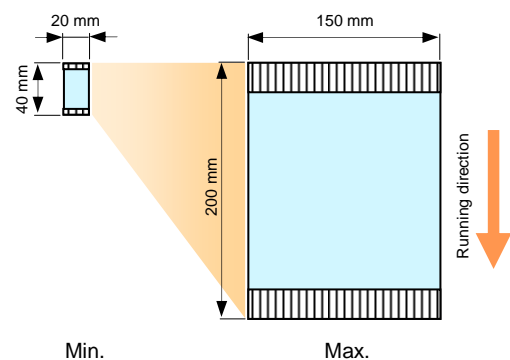
**Pouch Cutter for linked bags separation of desiccant, product samples, etc.**

### Design & characteristic features:

- Compact cutting system, with a machine velocity of approx. 100 cycles per minute
- Secure cutting and accurate feeding of linked bags
- Product feed by external supply from cardboard
- Cycling cutting system, pneumatic driven
- Precise separation of the products at the printmark by synchronisation with the transport unit.
- Exact positioning of the products onto product conveyor belts
- Direct mounting on different transport systems
- Flexible application by modular control system
- Complete protective cover

### Performance data:

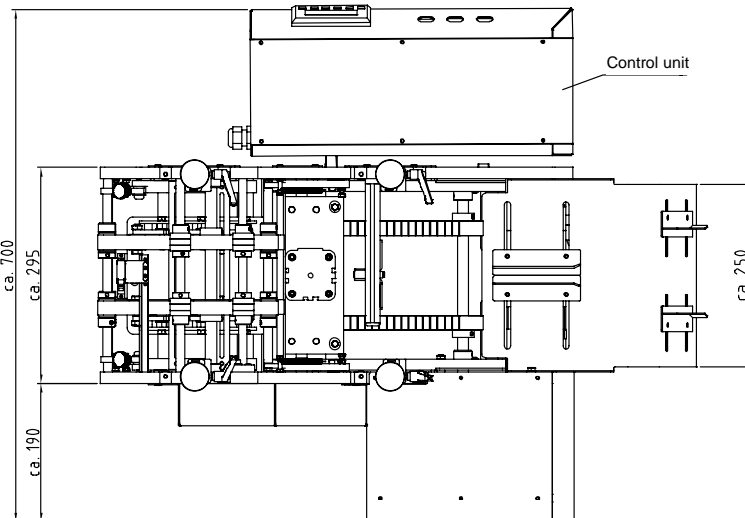
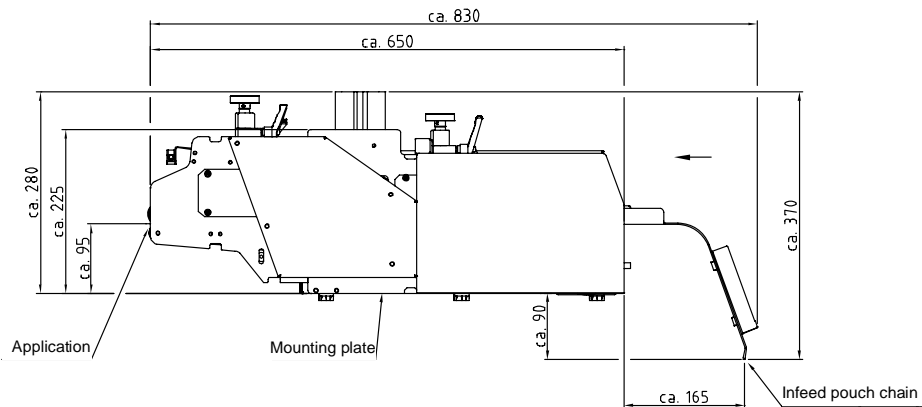
- Speed: max. 100 Products/min. (1.000 / h)
- Format range: Min. 20 x 40 mm; Max. 150 x 200 mm
- Short setup times
- Infinitely adjustment of format sizes
- **Options:**
- Product control by camera system
- Hot glue applicator unit for application of the bags onto articles and packages
- Scanning of bag chain glue joint
- Integration of a sealing station, for sealing of end and begin of the linked bag chain
- Product supply by unwinding roll
- Floorstand, height-adjustable
- Encoder interface for synchronized feeding
- Multi-feeding



# PC 100 Technical data (Standard configuration)

Format range (Special formats possible):	min. 40 x 20 mm, max. 200 x 150 (L x B)
Speed (depending on product and format):	Up to 100 Products/min., approx. 6.000 Products /h
Product thickness (depending on product and format):	Max. 20 mm
Repeat accuracy (depending on product and format):	+/- 1.5 mm
Product characteristics:	Fine grained, coarse grained, gel-like
Magazing (depending on product):	External supply from cardboard (Option: Unwinding roll)
Drive:	Servo motor, infinitely variable
Control unit:	PLC control, functions for continuous run, self-diagnosis, Error message, etc.
Supply voltage / Power consumption:	230 V / 50 Hz / 300 VA
Pressure air supply:	Air connection 1/2" / 6 bar
Dimensions (W x L x H) / Weight:	Approx. 830 x 700 x 280 mm approx. 50 kg

## Dimensions Standard unit:



03/2013 Subject to Technical modifications

