

**Application**

The universal feeder for flat products (paper, cardboard, plastic, film, etc.)  
in the food industry in protection class IP65

Technical Data		Products	
Performance	150 m/min / up to 1400 Prod./Min. (continuous) up to 600 Prod./Min. (cycled)	Formats	min. 25 x 60 mm max. 350 x 300 mm
Power supply	3 x 400 V / N / PE, 50 Hz, 300 W	Quality	min. 60 gr/m <sup>2</sup>
Control	PLC control with touchscreen	Thickness	0.1 – 30 mm

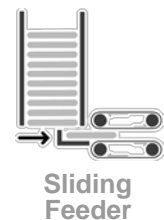
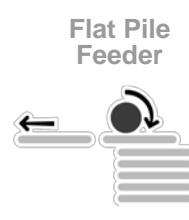
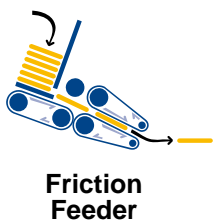
**Standard Properties**

- Basic unit in stainless steel and aluminium
- Smooth surfaces and transport pedestal with rubber rollers for optimized cleaning (option)
- No recesses and cavities, Knurled screws mounted closed with housing
- Non-corrosive ball bearings and connecting components
- Drive side with safety cover in V2A steel
- Protection type IP 65 for motor, control unit, wiring and plug connectors, scale for air gap adjustment and display
- All belts and friction rollers, being in touch with the products, are in FDA version.

- 1 Magazine loading: 600 mm
  - 2 Quick adjustment of the product thickness (air gap, exit extension, magazine), mechanical display
  - 3 Swiveling exit extension 150 mm
  - 4 PLC control unit
  - 5 Individually adjustable and reproducible stack support
- User guide and status display via touchscreen (graphical user interface)
  - Signal lamp with 2 colours, optional 4 colours
  - Feeding width 300 mm standard
  - Product feeding: Single, counting or with pulse generator
  - Exact feeding and/or glueing of the products
  - Missing sheet detection by product run-time monitoring
  - AC servo motor with high dynamic
  - Including encoder
  - Minimum stack level monitoring in magazine
  - Suction chamber for friction belts, with multi-ejector



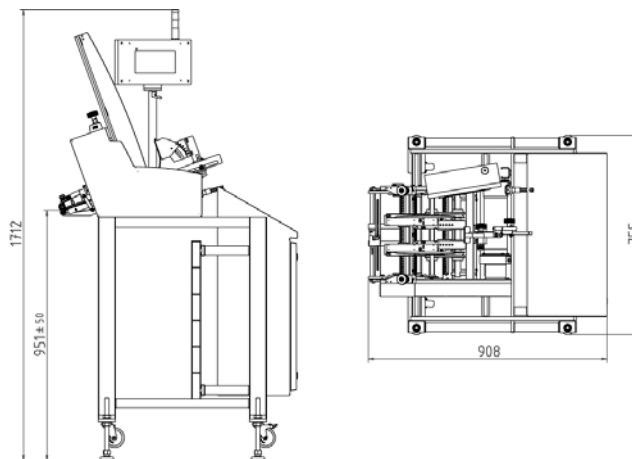
Technical details and further options see back side



### Technical Data (Standard Configuration)

Formats (special formats possible):	min. 25 x 60 mm (wide side leading), max. 350 x 300 mm (short side leading)
Belt speed / Feeding performance (depending on product):	150 m/min up to 1,400 Products/min (continuous) up to 600 products/min (cycled)
Product passage:	min. 0.1 mm, max. 30 mm, paper quality min. 60 gr/m <sup>2</sup> , product dependent
Magazine loading (depending on product):	Standard 600 mm, Option 800 mm / 1.000 mm
Drive:	AC servo motor, infinitely adjustable, positioning accuracy up to +/- 1.5 mm
Control:	PLC control with touchscreen
Supply voltage / Power input:	3 x 400 V / N / PE, 50 Hz, 300 W, separate switch cabinet
Air supply:	6 bar, dry, non-oiled air; connection ¼ ", air consumption 100 l/min (w. 2 suction chambers)
Dimensions (B x T x H) / Weight:	908 x 755 x 1712 mm (exit extension 150 mm, pedestal with switch cabinet), approx. 170 kg, (with pedestal and switch cabinet)
Sound level (with 2 suction chambers)	Max. 70 dB (A), with pressure air 6 bar

### Dimensions



### Options

#### Magazine/Loading

Magazine height 300/800/1,000 mm  
 Angled magazine with increased autonomy (up to 1,200 mm)  
 Autoloader 500 – 3,000 mm (inline or 90°)

Multiple magazine (Tandem/Exchange magazine)  
 Roller support extension up to 600 mm  
 Electric or pneumatic vibrator in stack magazine, can be switched off

#### Integration of Peripheral Devices

Marking systems (labeler, printer)  
 Gluing systems (hot melt glue, cold glue etc.)  
 Control systems (scanner, camera, etc.)  
 Folding device  
 Ionization unit

#### Controlling

Signal lamp (2 to 4 colors)  
 Level control in magazine/autoloader  
 Double sheet control electro mechanic/ultrasonic solution

#### Separation

Pusher for separation instead of friction wheel  
 Anti-static unit for film products

#### Transportation

Shingling conveyor  
 Reception tray, can be adjusted to different formats  
 Toothed belt  
 Suction belt 2 to 4 lanes  
 Alignment conveyor left/right

#### Counting & Positioning

Buffer rake for stacking  
 Down pressing unit  
 Servo linear positioning device

#### Outfeed Options

Exit extension 300/500/800 mm  
 Exit extension inclination angle 90° (downwards/upwards)  
 Vacuum exit extension 300/500/600/800 mm  
 Adjustable lateral guides in exit extension  
 Ejection of faulty parts

#### Other

Feeding width 100 – 1,000 mm  
 Floorstands: movable, vertically adjustable  
 Pre-defined wear part packages  
 Special versions by request

